

TEL IFSHAR (EAST): THE POTTERY ASSEMBLAGES

PETER GENDELMAN

The salvage excavation along the eastern margin of Tel Ifshar (see Yannai 2021) yielded rich ceramic assemblages.¹ These are presented here according to Strata (IV–II); each assemblage comprises material found in loci associated with each of the strata as well as vessels found in other contexts but that seem to belong to the assemblage of the stratum. These pottery assemblages date Stratum IV from the late first century BCE until the beginning of the second century and possibly even the third or first half of the fourth century CE; Stratum III to the fifth–sixth centuries CE; and Stratum II to the first half of the seventh century CE. Together they attest to the long period of occupation in this part of the tell.

STRATUM IV

HOUSEHOLD VESSELS

Bowl (Fig. 1:1).— This is a small bowl with a flat, string-cut base, a rounded wall and an incurved pointed rim. It is the single example of this type of bowl at the site. Such vessels were used both as table wares and as stoppers for local storage jugs (Bar-Nathan 2006:132–133, Pl. 25:4–16). Parallels that date between the late second century BCE and the first century CE are known throughout the country (Kenyon 1957:304, Fig. 72:1; Calderon 2000:98, Pl. IV:61, 62; Silberstein 2000:438, Fig. 5, Pl. VIII:3–5, 15, 16; Sarig 2009: Pl. 54:1, 2).

Jugs (Fig. 1:2–5).— Several fragments of table jugs were found, some from Stratum IV loci and others identified as residual in later strata. Two belong to vessels with a high neck and a wide flaring rim with an overhanging lip (Fig. 1:2, 3). Such jugs were common in the late Hellenistic–Early Roman periods (Bar-Nathan 1981:58, Pls. 1:14, 4:8; Guz-Zilberstein 1995:309, Fig. 6.31:7, 11;

¹ The author was unable to examine the pottery, as it was lost, and hence this article is based solely on the drawings. The article was edited by Smadar Gabrieli and Dafnah Strauss-Doron.

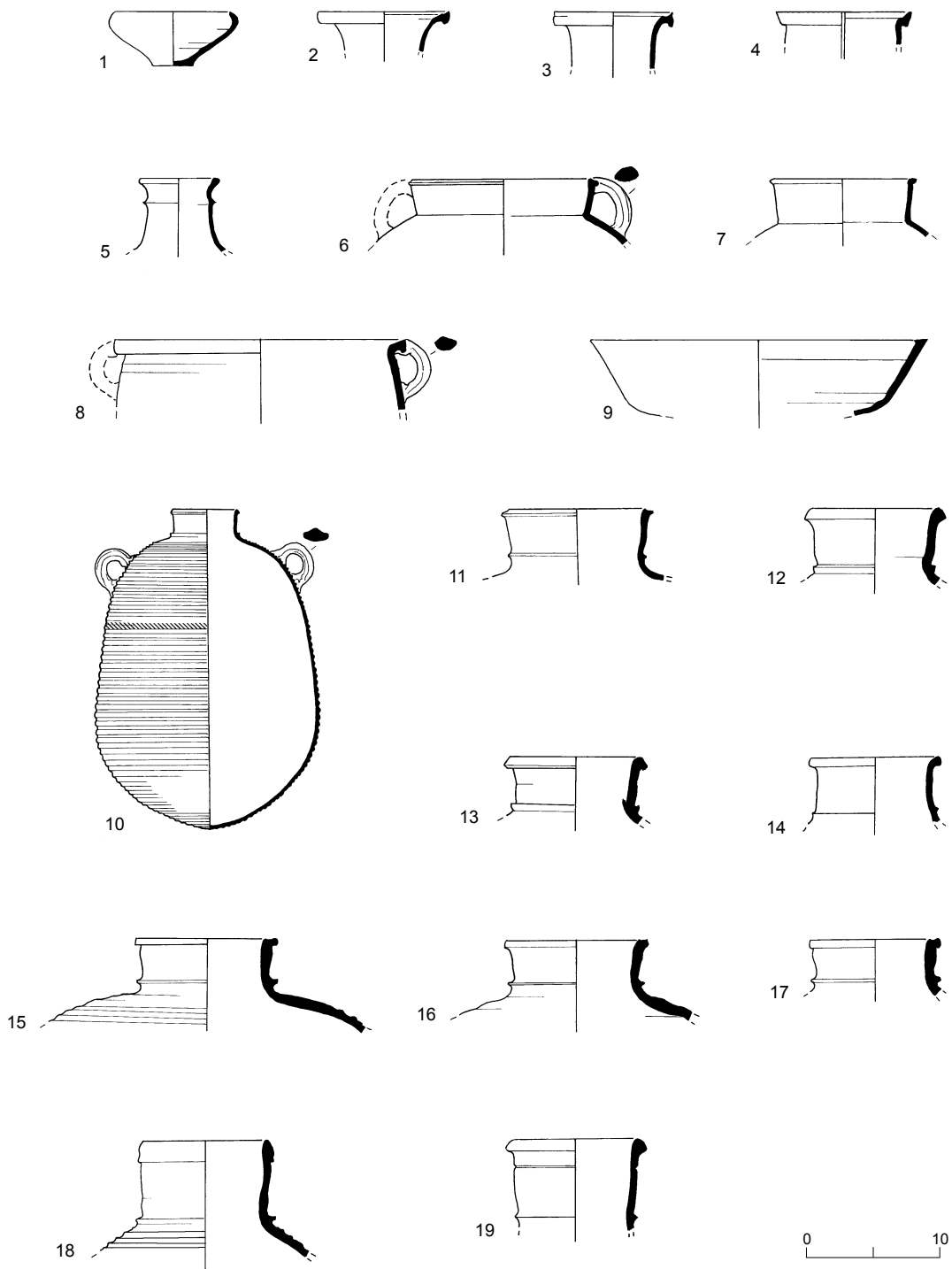


Fig. 1. Stratum IV Pottery.

◀ Fig. 1

No.	Type	Locus	Reg. No.	No.	Type	Locus	Reg. No.
1	Bowl	553	4151	11	Storage jar	554	4175
2	Jug	194	1518	12	Storage jar	531	4193
3	Jug	531	4133	13	Storage jar	553	4133
4	Jug	561	4153	14	Storage jar	560	4139
5	Jug	494	1999	15	Storage jar	553	4133
6	Cooking pot	529	4182	16	Storage jar	553	4133
7	Cooking pot	421	1635	17	Storage jar	553	4133
8	Casserole	191	1487	18	Storage jar	542	4184
9	Casserole	548	4119	19	Storage jar	528	4108
10	Storage jar	560	4138				

Avissar 1996:57, Fig. X.7:5; Loffreda 1996:55–56, Fig. 20:1, 3–5, Photos 15–17). A fragment of a narrow-neck jug with an overhanging rim (Fig. 1:4) is parallel to Bar-Nathan's type J-JG1C, dated to Herod's reign (Bar-Nathan 2002:39–40, Pl. 8:58, Ill. 27). An additional fragment (Fig. 1:5) is of a jug with an out-turned rim and a ridge on the upper neck. Such vessels were reported from contexts that date from 31–15 BCE (Jericho, Type J-JG4B—Bar-Nathan 2002:42–43, Pl. 9:70) and ca. 66–73/77 CE (Masada, Ridged Neck Jugs M-JG9C—Bar-Nathan 2006:106–108, Pl. 19:27–31).

Cooking Pots (Fig. 1:6, 7).— The globular cooking pots of Stratum IV are defined by their distinct rim treatment. The type with flanged rim (Fig. 1:6) is common and was widely distributed in Judea and Samaria between the mid-first century BCE and c. 70 CE (Bar-Nathan 1981: Pl. 5:1–6; 2002:170–171, Pl. 26:476–477, Ill. 108; Geva and Rosenthal-Heginbottom 2003:179–180, Pls. 6.1:12, 6.2:26, 6.5:39–41, 6.9:18; Sarig 2009: Pl. 61:1), and more particularly, occurs frequently at Caesarea Maritima and its vicinity (Blakely 1987: Fig. 13; Berlin 1992:120, Fig. 55:15; Calderon 2000:93, Pl. II:29–31; Silberstein 2000:429–431, Pl. V:7–13, Fig. 3). The type with the rolled rim (Fig. 1:7) dates from the first century to the first third of the second century CE and appears in Judean sites (e.g., Ben-Arieh and Cohen-Uzzielli 1996:75, Fig. 4.3:6, 7; Loffreda 1996:73, Fig. 28:7, 8; Bar-Nathan 2006:159–160, Pl. 29:34–38, Fig. 48).

Casseroles (Fig. 1:8, 9).— Two types of casseroles were found in Stratum IV. A fragment of a deep, barrel-shaped vessel with an out-turned rim with an overhanging lip (Fig. 1:8) is of a type that dates from the first–second centuries CE. It is known only from Caesarea and sites in its vicinity (Blakely 1987:40, Fig. 13:3; Calderon 2000:95, Pl. III:48).

A fragment of an open, carinated casserole with a beveled rim (Fig. 1:9) is of a long-lived shape, which was in use from the Roman to the Early Islamic periods (Magnes 1993:213). This fragment is an early variant, dated at Ramat Ha-Nadiv to the late first–beginning of the second centuries CE (Calderon 2000:95–97, Pl. III:53).

STORAGE VESSELS

Jars (Fig. 1:10–19).— All the storage jars that were found in Stratum IV belong to the well-known type of the Coastal (Red) Bag-Shaped Jars, manufactured of the uniform sandy, light pink fabric that is characteristic of the Sharon Plane and Caesarea. The jars have a wheel-ridged body, with a rounded base and a shoulder; a ridge marks the base of the neck.

The type is subdivided into four variants. Variant 1 has a short barrel-shaped neck with a triangular rim (Fig. 1:10–13); the body, according to the preserved example (Fig. 1:10), is rather slender, with a dark red-painted horizontal band applied 4–5 cm below the handles. Such vessels date from the first–early second century CE and are common at other sites (Bar-Nathan 1981:57, Pl. 3:14, 15; Oleson et al. 1994:16, 117, Fig. 40:71; Berlin 1997:157–158, Pl. 59:493, 494; Calderon 2000:91–93, Pl. I:1, 4, 9; Silberstein 2000:421, Pl. I:21, 22; Bar-Nathan 2002:154, Pl. 24:415–417, Ill. 100; 2006:57–58, Fig. 14, Pl. 8:39–42).

Variant 2 has a cylindrical neck and an out-turned square rim. A single fragment was found of this variant (Fig. 1:14). Vessels similar in shape, dating from the first and second centuries CE, were found in Qumran (de Vaux 1956: Fig. 5:1) and Shekhem/Neapolis (Sarig 2009: Pls. 25:10, 32:16, 44:3).

Variant 3 has a short neck and an out-turned flattened rim with a groove on its upper face (Fig. 1:15–17). This seems to be a strictly local variation, which possibly dates from the late first–early second centuries CE.

Variant 4 had a high neck and a folded rim, often with moldings below (Fig. 1:18, 19). These storage jars, one of which was found in a Stratum III context (Fig. 1:19), are common finds in third–fourth century deposits at Caesarea and Tel Dor (Riley 1975:26, Nos. 7–9; Blakely 1987:66–69, 83–87, Figs. 21:52–55; 29:98–100, 102; 30:109, 112–114; Bar-Nathan and Adato 1986:163, Fig. 2:1–8; Guz-Zilberstein 1995:313, Figs. 6.39:16; 6.51:1, 2; 6.58:13).

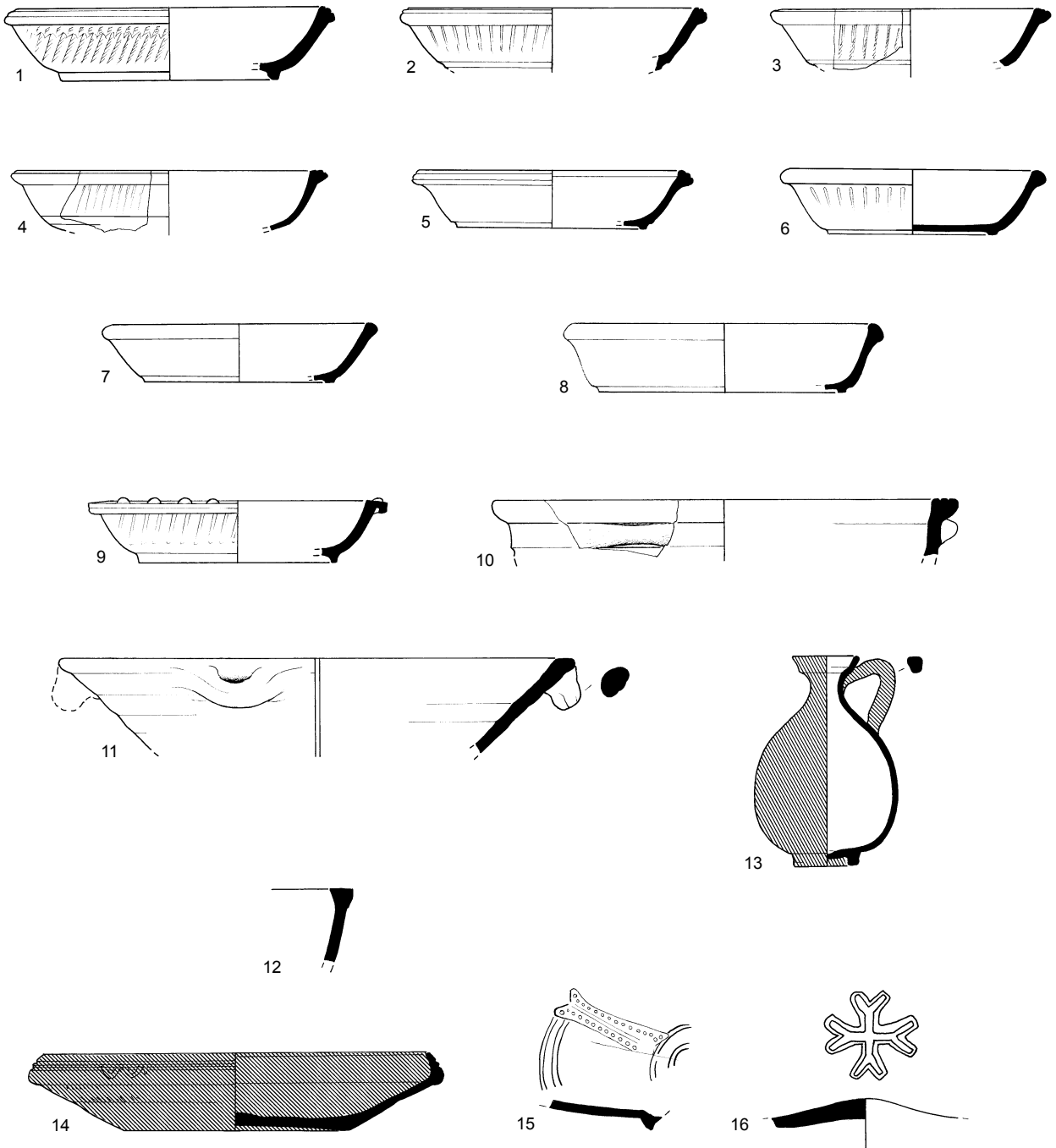
STRATUM III

IMPORTED TABLE VESSELS

Stratum III yielded a considerable quantity of imported bowls. Three production areas were identified: Cyprus (Cypriot Red Slip Ware [CRSW]), Phocaea in Western Anatolia (Phocean Red Slip Ware [PRSW]) and North Africa (African Red Slip Ware [ARSW]).

Cypriot Red Slip Ware (Fig. 2)

This is the most common group of imported fine wares found in the excavation. The typology follows the work of the two major publications on these wares, by J.W. Hayes (1972; 1980) and by H. Meyza (2007).



0 10

Fig. 2. Stratum III Pottery.

◀ Fig. 2

No.	Type	Locus	Reg. No.	Form
1	Bowl	194	1518	Hayes Form 2
2	Bowl	516	4089	Hayes Form 2
3	Bowl	194	1511	Hayes Form 2
4	Bowl	576	4173	Hayes Form 2
5	Bowl	449	1858	Hayes Form 2
6	Bowl	516	4089	Hayes Form 2
7	Bowl	583	422/6	Hayes Form 2
8	Bowl	449	1746	Hayes Form 2
9	Bowl	572	4173	Hayes Form 4
10	Basin	194	1511	Hayes Form 7
11	Basin	445	1745	Hayes Form 11
12	Basin	524	4114	Hayes Form 11
13	Bowl	194	1518	Hayes Form 10A / Meyza Form K4B
14	Juglet	444	1727	Meyza Form K8
15	Bowl	521	4169	
16	Bowl	423	1655	

Hayes CRSW Form 2 (Fig. 2:1–8).— These are deep, carinated bowls with a low ring base, a beaded rim and a flaring wall with rouletting decoration. Two variants were distinguished: one with a groove (Fig. 2:1–5), the other with a plain rim (Fig. 2:6–8). These bowls were dated by Hayes to the late fifth–early sixth centuries CE (Hayes 1972:373–376, Fig. 80:2.1, 2.2); however, Meyza dates this form to the early fifth–mid sixth centuries CE (Meyza 2007:53, Pls. 4:H2, 19:H2).

Hayes CRSW Form 4 (Fig. 2:9).— This bowl has a flat rim decorated with punched embossed knobs. This bowl type is rare, and indeed only one such fragment was found in the excavation. Hayes offers only an estimated date range for this type, from the third quarter of the fifth to the second quarter of the sixth centuries CE (Hayes 1972:376). Meyza dates the termination of this type to the late sixth or the early seventh century CE (Meyza 2007:55–56, Pl. 19:H4).

Hayes CRSW Form 7 (Fig. 2:10).— This is a deep basin with handles; the rim is heavy and flat, with a groove on its upper face. This type is represented by a single fragment. Its date ranges from shortly before 450 CE until the late sixth or early seventh century CE (Hayes 1972:377–379, Fig. 81:7.1; Meyza 2007:54–55, Pls. 5:H7, 19:H7, 26:H7).

Hayes CRSW Form 11 (Fig. 2:11, 12).— These are basins with a flaring wall and a flat base. The rim is folded, and a pair of horizontal rod handles is attached to the upper wall. This form is dated to around 550–650 and later (Hayes 1972:383, Fig. 83:11.1, 2).

Hayes CRSW Form 10A / Meyza Form K4B (Fig. 2:13).— These are large shallow bowls with a flat base. They have a heavy in-curved rim and are decorated with grooves and incised zigzag lines. The type dates from the last quarter of the sixth to the late seventh centuries CE (Meyza 2007:70, Pl. 21: K4B)

Meyza Form K8 (Fig. 2:14).— A complete example of this piriform juglet was found with a low ring base, a short neck and a funnel rim. This rare form probably dates from as early as the late fourth century CE (Meyza 2007:81, Pl. 23: K8). Similarly shaped juglets were discovered within a fifth-century CE deposit in Caesarea's harbor (Tomber 1999:305, Fig. 1:10, 11).

Stamped Decorations (Fig. 2:15, 16).— Two fragments of CRSW bowls with a stamped decoration on their base were found. The central motif of the bowl in Fig. 2:15 was not preserved, only the surrounding motif of either fish or palm leaves. A very similar motif is reported from Jalame (Johnson 1988:166, Pl. 7:3) and Paphos (Meyza 2007:86, Pl. 32:4). The fragment in Fig. 2:16 has a Maltese cross (Fig. 2:16). This is a common decoration on CRSW vessels (Hayes 1972: Fig. 84:k–o; Meyza 2007:84, Pl. 39:1–5)

Phocean Red Slip Ware (Fig. 3:1–7)

Several fragments of bowls from Phoecea, Asia Minor were found. They will be presented according to Hayes's (1972; 1980) typology.

Hayes PRSW Form 1 (Fig. 3:1, 2).— These are shallow bowls with an incurved rim. The fragment in Fig. 3:1 is related to Form 1A, which dates from the late fourth–early fifth centuries CE (Hayes 1972:325–327, Fig. 65:1, 2). A single fragment of a bowl with a flaring wall and a shallow ridge below the rim (Fig. 3:2) seems to be related to variant 1D, which dates from the beginning of the fifth century CE through its third quarter (Hayes 1972:325–327, Fig. 65:7). Similar vessels were reported from Capernaum (Loffreda 2008: DG.42:20-a1370)

Hayes PRSW Form 3 (Fig. 3:3, 4).— These are flaring bowls with a flange rim, showing two variants of rim treatment. The first has a well-defined flange (Fig. 3:3; Hayes PRSW Form 3C) and dates from the fifth century CE (Hayes 1972:329–338, Fig. 67:7). The second (Fig. 3:4; Hayes PRSW Form 3F) has an up-turned flange and dates from the sixth century CE (Hayes 1972: 329–338, Fig. 69:3.19–40).

Hayes PRSW Form 9 (Fig. 3:5).— A single fragment was found of these rare, small rounded bowls. The type is dated to around 520–600 CE (Hayes 1972:342, Fig. 70:9.1)

Stamped Decorations (Fig. 3:6, 7).— There are two fragments of bases that belong to PRSW bowls that bear a stamped decoration. The first has a partially preserved composition depicting a peacock

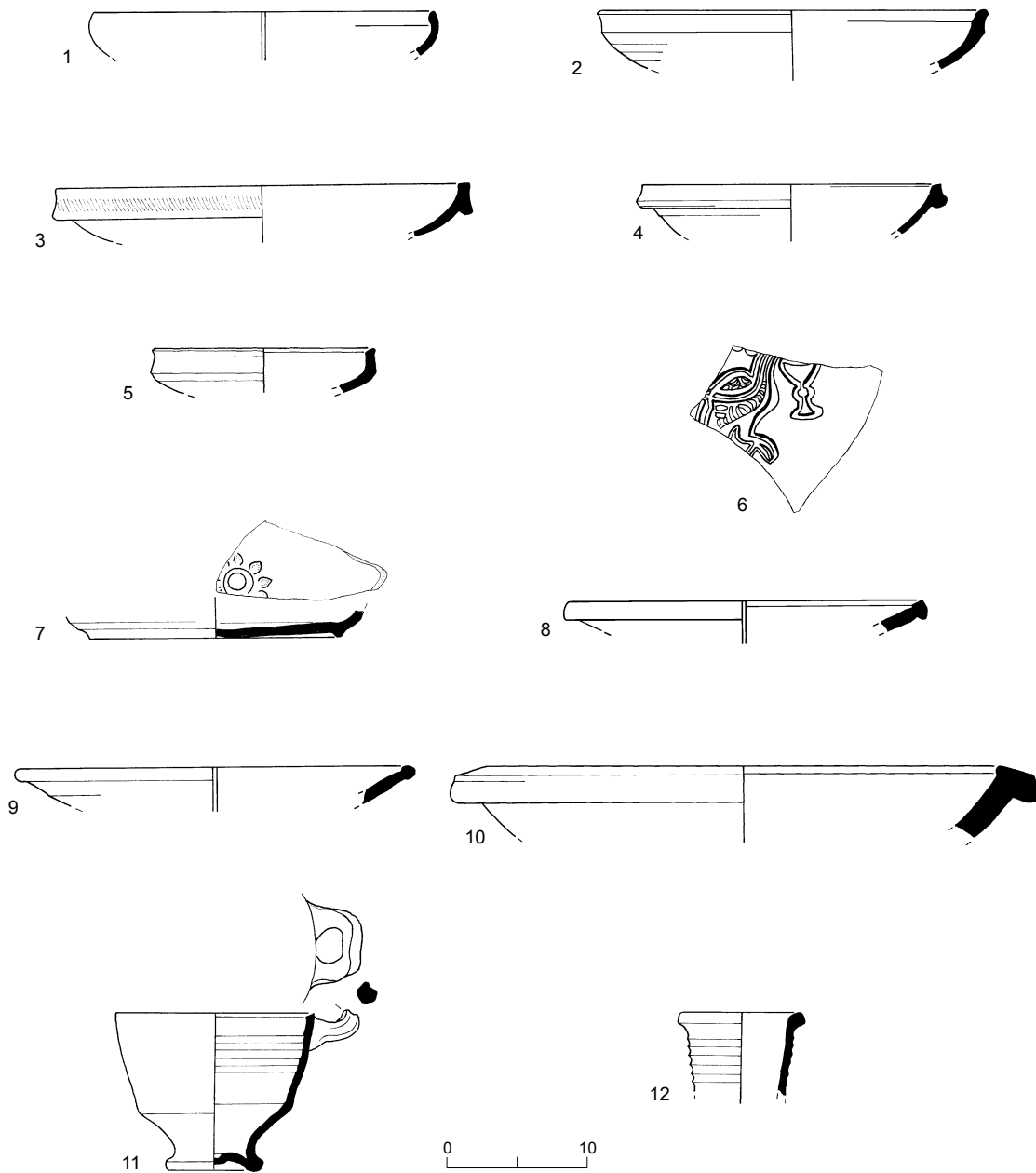


Fig. 3. Stratum III Pottery.

to the right of a vase, which may be an amphora, a kantharos or a krater (Fig. 3:6). Both peacocks (Hayes 1972:361, Fig. 77:f, Motif 48; Loffreda 2008:113, DG.62) and vases (Hayes 1972:362–363, Fig. 78:a–d, Motif 59; Loffreda 2008:111, DG.58) are known motifs on PRSW vessels, sometimes appearing together (cf. Hayes 1972:362, Pl. XXIb:3).

◀ Fig. 3

No.	Type	Locus	Reg. No.	Form
1	Bowl	470	1839	Hayes PRSW Form 1
2	Bowl	194	1518	Hayes PRSW Form 1
3	Bowl	194	1511	Hayes PRSW Form 3
4	Bowl	509	4040	Hayes PRSW Form 3
5	Bowl	486	1918	Hayes PRSW Form 9
6	Bowl	505	4058	PRSW
7	Bowl	445	1745	PRSW
8	Bowl	122	105/6	Hayes ARSW Form 104B
9	Bowl	134	1176/2	Hayes ARSW Form 104C
10	Mortarium	423	1655	North Syrian
11	Goblet	526	4112	
12	Storage jar	408	1629	

The second decorated bowl is probably Hayes PRSW Form 3 (see above); it is decorated with petals surrounding two concentric circles at its centre (Fig. 3:7).

African Red Slip Ware (Fig. 3:8, 9)

Two fragments of ARSW dishes (Hayes Form 104) were found. One, with a knobbed rim projecting outward (Fig. 3:8), resembles Variant 104B, which dates from around 570–625 CE (Hayes 1972:160–166, Fig. 30:15, 16). The second fragment has a rounded rim (Fig. 3:9) and is related to Variant 104C, which dates from around 550–625 CE (Hayes 1972:160–166, Fig. 30:23, 29).

HOUSEHOLD VESSELS

Table Vessels (Fig. 3:10–12)

North Syrian Mortarium (Fig. 3:10).— Mortaria such as this one, which have a distinctive fabric, were first identified by Hayes, who dated this group to the late second–fourth centuries CE (Hayes 1967). Only one fragment of this group is represented in the Stratum III assemblage. It has a rather small rim—a variant which represents a transitional stage between the “classic” shape that has a wide rim projecting outward and pulled downward (Hayes 1967) and the late fifth–seventh centuries CE variant (see Stratum II below). So far, no stamps have been observed on this form. Stamps seem to have appeared in the late fourth or early fifth century CE (personal observation) and remained in production until the sixth–early seventh century CE (Koucky and Lapp 1989:107–108, Pl. 49:12).

Goblet (Fig. 3:11).— Only one goblet was found: it has a high foot, a bevel-cut rim and a vertical handle. Its fabric resembles that of the local storage jars. Several published parallels date from the sixth century CE (Sussman 1976: Fig. 5:3; Riley 1975:36, No. 34; Sarig 2009: Pl. 7:4).

Jug (Fig. 3:12).— This jug has an out-turned rim and shallow ribbing on a high neck. A parallel was found at the Byzantine pit at Ḥorbat ‘Aqav (Calderon 2000: Pl. XXIII:57).

COOKING WARES (Fig. 4:1–8)

Closed Cooking Pots (Fig. 4:1–4).— Three types of cooking pots were found in Stratum III:

1. A squat, neckless pot with a flaring square rim and a wheel-ridged body (Fig. 4:1). Such pots are known from the sixth century CE deposit at Ḥorbat ‘Aqav (Calderon 2000:138, Pl. XXII:37) and from the mid-sixth–early seventh centuries CE context at Pella in Jordan (McNicoll, Smith and Hennessy 1982: Pl. 138:5; Koucky and Lapp 1989:174–176, Pl. 111:1).

2. A squatted, neckless pot with a wheel-ridged body and a flaring, thickened rim with a pointed lip; a pair of handles extend from the rim to mid-body (Fig. 4:2). Similarly shaped vessels, dating from the fifth to the early seventh centuries CE, were reported from numerous sites (Blakely 1987:132, Fig. 40:162; Tomber 1999:319, Fig. 7:116; Calderon 2000:108, Pl. VI:36; McNicoll, Smith and Hennessy 1982: Pl. 138:5, 10; Koucky and Lapp 1989: Pl. 51:8). This type of a cooking pot was dated at Yoqne‘am to the late Byzantine–Umayyad periods (Avissar 1996:73, Fig. XII.610).

3. A squat pot with a ribbed, almost flat base, a wheel-ridged body with a short neck and an upright rim with a pronounced flange; large, crude handles extend from the rim to the point of maximum body diameter (Fig. 4:3). Morphologically this vessel is related to Magness’s Form 4B, which was produced in Jerusalem and the surrounding area during the fifth–late seventh or early eighth centuries CE (Magness 1993:219–220; Tushingham 1985: Fig. 30:3, 23). Such cooking pots were also produced at the Judean Shephelah (cf. Khirbat el-Ni‘ana; Vincenz and Sion 2007:24, Fig. 2:9; Tsioni 2008:53, Fig. 11:5).

4. Squat neckless pot with a square bifid rim (Fig. 4:4). Similar cooking pots—Johnson Form 4 Variant B—which are roughly dated to the second half of the fourth century CE and were “probably used both earlier and later”, were common at Jalame (Johnson 1988:190–191, Figs. 7-36:550–551; 7-37).

Casseroles (Fig. 4:5–8).— Casseroles are represented by one form only in Stratum III: an open vessel with a bevel-cut rim and horizontal handles; the exterior surface is wheel-ridged (Fig. 4:5–7). Unlike the casseroles from Stratum IV, this type has a deep body and no carination—a common shape that persisted without any changes from the fourth through the eighth centuries CE (Adan-Bayewitz 1986:107, Fig. 3:19, 20; 1993:156–159, Pl. C3A:2; Johnson 1988:200–201, Fig. 7-43:636; Koucky and Lapp 1989:110, Pls. 51:5, 6; 53:13, 17; Calderon 2000:140, Pl. XXIII:49). The shallow domed lids belong to these casseroles and are similarly dated (Fig. 4:8; Magness 1993:215).

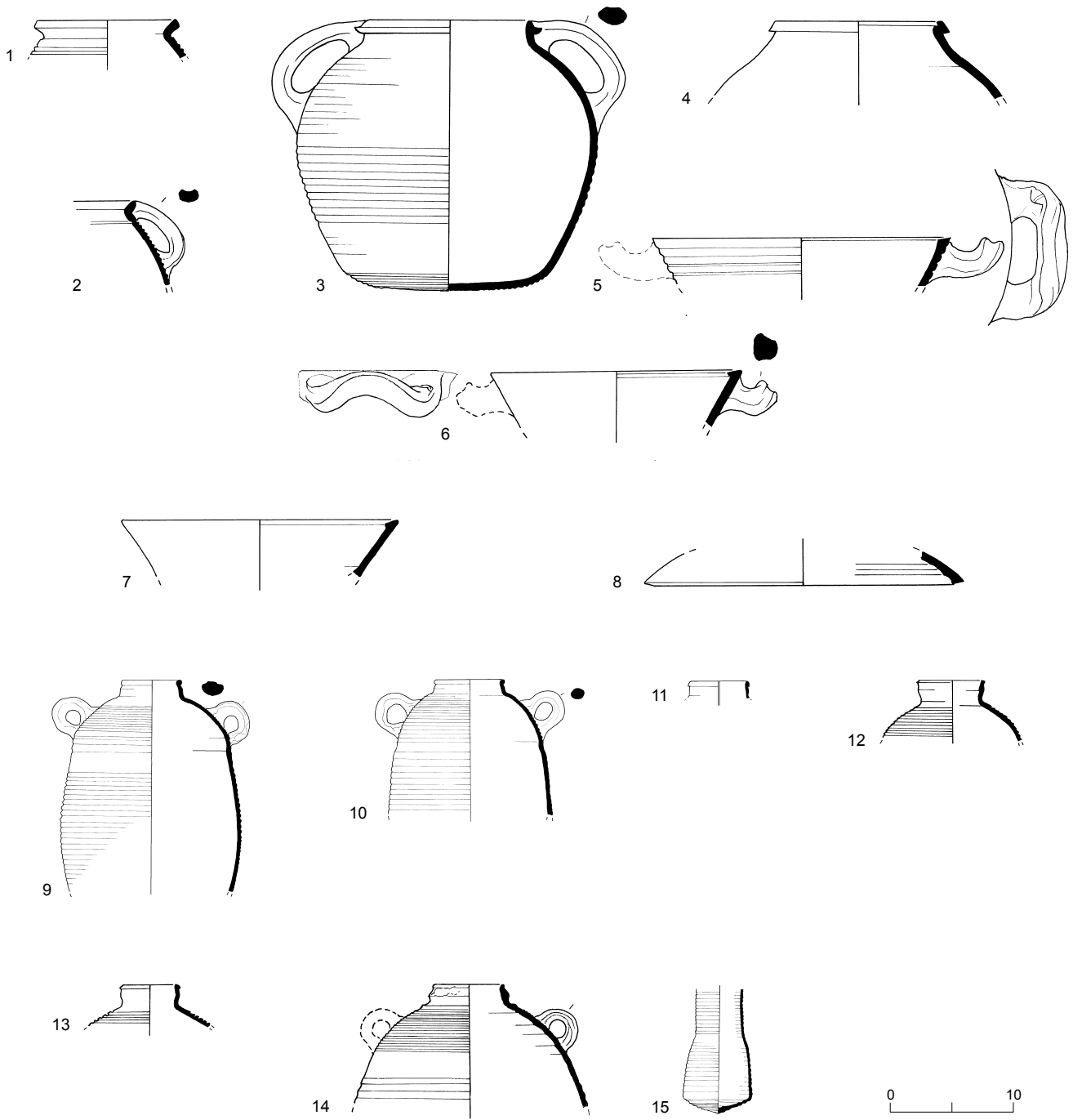


Fig. 4. Stratum III Pottery.

◀ Fig. 4

No.	Type	Locus	Reg. No.	Form
1	Cooking pot	572	4173	
2	Cooking pot	572	4173	
3	Cooking pot	523	4101	
4	Cooking pot	583	4223/1	
5	Casserole	583	4229/4	
6	Casserole	453	1772	
7	Casserole	453	1772	
8	Casserole lid	561	4153	
9	storage jar	486	4050	Costal (Red) Bag-Shaped
10	Storage jar	416	1641	Costal (Red) Bag-Shaped
11	Storage jar	561	4153	Costal (Red) Bag-Shaped
12	Storage jar	508	4091	Costal (Red) Bag-Shaped
13	Storage jar	583	4229/3	Costal (Red) Bag-Shaped
14	Storage jar	134	1205	Costal (Red) Bag-Shaped
15	Water-wheel pot	408	1626	

STORAGE VESSELS AND CONTAINERS

Jars (Fig. 4:9–14).— The only storage jars in Stratum III, as in Stratum IV, are of the Coastal (Red) Bag-Shaped Jar type. Two variants of this jar were found:

1. Jars with an elongated wheel-ridged body and a short, barreled neck with a rolled rim. The ridge on the base of the neck, which characterized the earliest variations, has by now disappeared (Fig. 4:9–13). This variant is similar to Riley's Type 1B/Y (Riley 1975:26–27, Nos. 1, 2, 4, 6), the dominant type of storage jars in the late fifth–sixth centuries CE deposits at Caesarea (Adan-Bayewitz 1986:91–96, Fig. 1:4–6; Bar-Nathan and Adato 1986:132, Fig. 1:11–13; Magness 1992:131, Figs. 58:16–21; 64:2, 3; Tomber 1999:302, Fig. 8:127, 128) and its vicinity (Calderon 2000:104, Pls. VI:7–10, XVII:11–15).

2. Jars that are almost globular, with a short, indistinctive neck, a thickened rim and dense wheel-ridging on the shoulder (Fig. 4:14; for a complete vessel from Stratum II, see Fig. 7:10). This jar is similar to Riley's Type 1C (Riley 1975:27, No. 3) and to Peacock and Williams's Class 63 (Peacock and Williams 1986:216). These vessels date between the late sixth or early seventh and the eighth centuries CE. They are common in Caesarea (Blakely 1987:140–141, Figs. 37:121, 128; 39:150, 152; 42:185, 186, 192) and Ḥorbat 'Aqav (Calderon 2000:131–132, Pl. XVIII:19, Fig. 22), and are found as far as the Judean Hills (Rapuano 1999:179*, Fig. 7:95) and Jordan (McNicoll, Smith and Hennessy 1982:179–180, Pl. 115:5).

Water Wheel (Saqiya) Pot (Fig. 4:15).— Judging by the profile of this fragment, the vessel dates from the Late Roman or the beginning of the Byzantine period (Roll and Ayalon 1989:211; Ayalon

2000:216–226). It is slightly different from the *saqiya* vessels of the Late Byzantine–beginning of the Early Islamic period (Roll and Ayalon 1989:212). This fragment belonged to a pot that was longer than those from Tel Qasila (Ayalon 1988:32) and shorter than the type found at Khirbat Sabiya.

STRATUM II

IMPORTED TABLE VESSELS

Cypriot Red Slip Ware (Fig. 5:1–8)

Hayes CRSW Form 1 (Fig. 5:1).— This fragment belongs to a wide bowl with a distinct flaring wall. It is similar to Hayes CRSW Form 1, which dates from the early fourth or, more probably, mid-fourth century to around the third quarter of the fifth century CE (Hayes 1972:372–373, Fig. 80:1.1–3; 1980:582) and Meyza Form H1B (Meyza 2007:45–48, Pl. 1:H1B1–6).

Hayes CRSW Form 5 (Fig. 5:2).— This is a small and shallow bowl with a triangular rim and a ribbed wall, without a ring base. Hayes dated this form to the mid–late sixth century CE (Hayes 1972:377, Fig. 81:5.2), while Meyza dated it to the early sixth–early seventh centuries CE (Meyza 2007:56–57, Pl. 18:H5.1).

Hayes CRSW Form 9B (Fig. 5:3, 4).— These are bowls with flaring walls and a thickened rim, which are either vertical or incurved; a roulette decoration on the exterior of the wall is common. They are similar to Hayes CRSW Form 9B, which are dated to between 580/600 CE and the end of the seventh century CE (Hayes 1972:379–382, Figs. 81:9.5, 9; 82:9.10–12), and to Meyza K3B bowls, dated to around 550–post 660 CE (Meyza 2007:67–68, Pl. 20:K3.1).

Hayes CRSW Forms 7 and 11 (Fig. 5:5–7).— Two fragment of CRSW bowls belong to Hayes Form 7 (Fig. 5:5, 6), and one fragment belongs to Hayes Form 11 (Fig. 5:7). Both these forms were found in Stratum III as well (see above).

Stamped Decoration (Fig. 5:8).— This decorated fragment belongs to a base of bowl with the characteristic CRSW dark brown slip. The stamp comprises three concentric circles, circled by eight identical stamps, which in turn are circled by eight stylized palmettes. No exact parallels for this stamp on CRSW have been published to date.

Phocean Red Slip Ware (Fig. 5:9–18)

Hayes PRSW Form 3 (Fig. 5:9–15).— Two variants of this form were found in Stratum II: Form 3B (Fig. 5:9, 10) and Form 3F (Fig. 5:11–15). Both these forms were found also in Stratum III (see above).

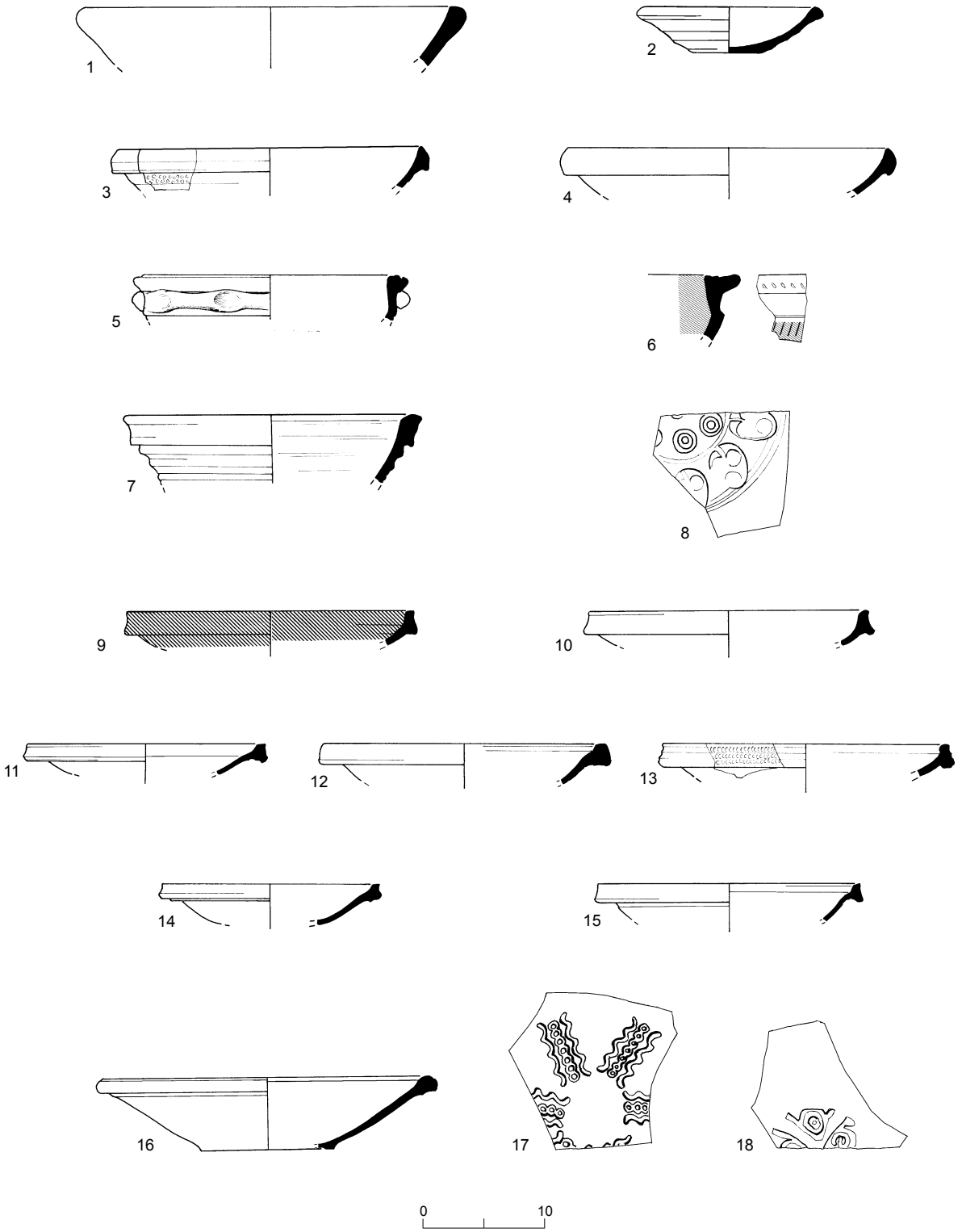


Fig. 5. Stratum II Pottery.

◀ Fig. 5

No.	Type	Locus	Reg. No.	Form
1	Bowl	507	4072	Hayes CRSW Form 1
2	Bowl	157	1529	Hayes CRSW Form 5
3	Bowl	157	1310	Hayes CRSW Form 9B
4	Bowl	157	1283	Hayes CRSW Form 9B
5	Bowl	507	4042	Hayes CRSW Form 7
6	Bowl	522	4088	Hayes CRSW Form 7
7	Bowl	497	1970	Hayes CRSW Form 11
8	Bowl	467	1836	CRSW
9	Bowl	174	1455	Hayes PRSW Form 3
10	Bowl	457	1787	Hayes PRSW Form 3
11	Bowl	492	1985	Hayes PRSW Form 3
12	Bowl	467	1836	Hayes PRSW Form 3
13	Bowl	179	1421	Hayes PRSW Form 3
14	Bowl	186	1466	Hayes PRSW Form 3
15	Bowl	153	1356/14	Hayes PRSW Form 3
16	Bowl	405	1575	Hayes PRSW Form 10
17	Bowl	174	1459	PRSW
18	Bowl	508	4043	PRSW

Hayes PRSW Form 10 (Fig. 5:16).— This bowl, with a flaring wall, is similar to Hayes PRSW Form 10A, which is dated to the end of the sixth–beginning of the seventh centuries CE (Hayes 1972:343–346, Fig. 71:1–6).

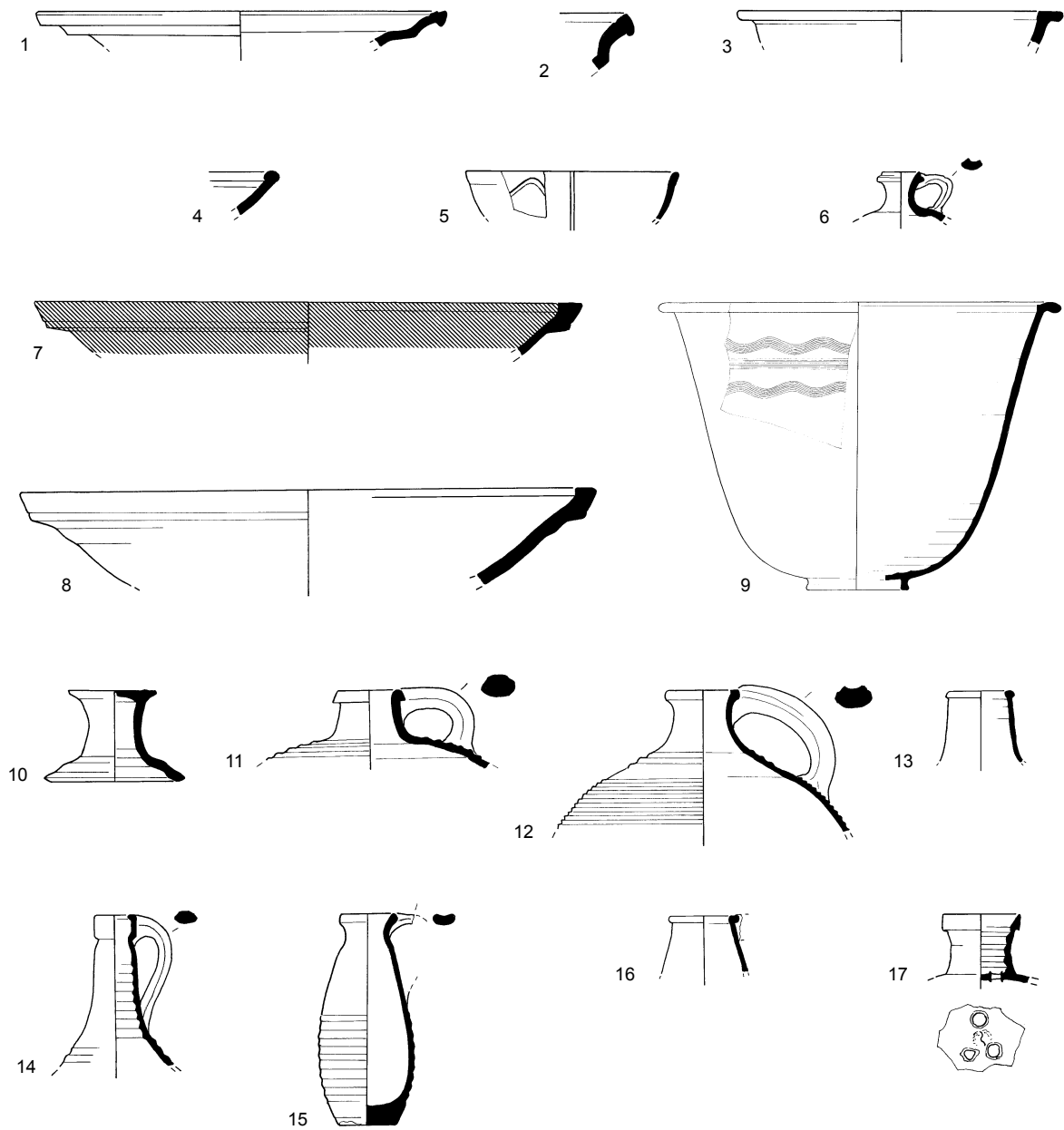
Stamped Decorations (Fig. 5:17, 18).— Two fragments of bowl bases, each bearing a stamped decoration were found. The first is an impression of a “row of circles between two rows of linked semicircles” (Motif 23; Hayes 1972:355, Fig. 74:a) radiating from the center (Fig. 5:17). The second impression (Fig. 5:18) is of a double-ribbed Greek cross with pendants between the arms, which is a common motif on PRSW bowls (Motif 70; Hayes 1972:365, Figs. 78:r, s; 79:a).

African Red Slip Ware (Fig. 6:1–4)

Hayes ARSW Form 67 (Fig. 6:1, 2).— Two fragments belong to dishes with a stepped flaring rim. They are dated to around 360–470 CE (Hayes 1972:112–116, Fig. 19).

Hayes ARSW Form 93B (Fig. 6:3).— A single fragment belongs to a deep bowl with a flat, out-turned rim. It is dated to around 550–640 CE (Hayes 1972:145–148, Fig. 27:19).

Hayes ARSW Form 104C (Fig. 6:4).— A single fragment belongs to a rounded bowl with a beaded rim that has inner grooves. It is dated to around 550–625 CE (Hayes 1972:160–166, Fig. 30:29).



0 10

Fig. 6. Stratum II Pottery.

◀ Fig. 6

No.	Type	Locus	Reg. No.	Form
1	Bowl	410	1056	Hayes ARSW Form 67
2	Bowl	149	1292	Hayes ARSW Form 67
3	Bowl	457	1787	Hayes ARSW Form 93B
4	Bowl	132	1152	Hayes ARSW Form 104C
5	Bowl	430	1685	Byzantine Fine Ware
6	Juglet	430	1693	Byzantine Fine Ware
7	Mortarium	157	1472	North Syrian
8	Mortarium	155	1302	North Syrian
9	Basin	474	1895	
10	Goblet	414	1615	
11	Jug	132	1162	
12	Jug	430	1680	
13	Jug	553	4151	
14	Jug	430	1680	
15	Juglet	157	1529	
16	Juglet	553	4151	
17	Strainer neck	430	1680	

BYZANTINE FINE WARE

Bowl (Fig. 6:5).— This fragment belongs to a deep, rounded bowl with a rounded rim; the exterior is decorated with an incised wavy line. The fabric is in shades of grayish pink with a pink core; it is well levigated and contains no temper. Such vessels, known as Magness FBW Bowls Form 1A, were produced in the vicinity of Jerusalem and are dated to the mid-sixth–late seventh or early eighth centuries CE (Magness 1993:193–194).

Juglet (Fig. 6:6).— This fragment belongs to a small juglet with a flange rim. It is similar to Magness FBW Juglet Form 2A, which is dated to the mid sixth–late seventh or early eighth centuries CE (Magness 1993:239–241).

OTHER HOUSEHOLD VESSELS

Table Vessels (Fig. 6:7–17)

North Syrian Mortaria (Fig. 6:7, 8).— These fragments belong to a late variant of the North Syrian Mortarium: a fifth–seventh centuries CE development of the earlier shape found in Stratum III (see above). This later variant is characterized by a thinner wall and a short and heavy square rim. The clay is very dark brown in color and contains large black and brown inclusions that appear to be either volcanic or metamorphic in origin. These mortaria are common at Caesarea (Riley 1975:37,

Nos. 41, 42; Bar-Nathan and Adato 1986: Fig. 4:11; Magness 1992: Fig. 58:11) and at other sites (Johnson 1988: Fig. 7-29:465–471; Siegelman 1998:318, Fig. 5:1–3, 5–6; Calderon 2000:147, Pl. XXV:78).

Arched-Rim Basin (Fig. 6:9).— this is a deep basin with a ring base, a high, flaring body and an arched rim with a deep groove along its inner edge. The fabric is orange/pink and temper-free. The upper body is decorated with a combed design of two parallel horizontal wavy bands and a third, straight band between them. This type of basin has been found in the Negev, Trans-Jordan and Jerusalem. The quality of the workmanship is excellent, suggesting that the basin was not made in the Sharon, and should be considered an import. Magness provides parallels from the sixth and seventh centuries CE (Magness 1993:206).

Goblet/jug (Fig. 6:10).— This fragment belongs to a goblet or a jug with a high trumpet foot. The shape resembles Coptic painted goblets from Kellia, which date from around 630–700 (Egloff 1977:159–160, Pls. 84:2, 9; 85:1, 2).

Cooking Ware Jugs (Fig. 6:11–13).— All three jugs are made of a fabric similar to that of cooking pots. Zevulun and Olnik (1978:98 ff.) suggest that these vessels were used for heating water. Two of the fragments belong to jugs with a globular, wheel-ridged body, with a short neck and a hooked rim; an oval handle is attached to the rim and upper body (Fig. 6:11, 12). Similar, closed vessels were reported from Shekhem/Neapolis (Sarig 2009: Pl. 9:5) and from Jalame excavations (Johnson 1988:206, Fig. 7-45:688–689; 7-46:696). The third fragment belongs to a jug with a cylindrical neck and a beaded rim (Fig. 6:13). It resembles vessels from the Shekhem/Neapolis excavation that date from the Byzantine period (Sarig 2009: Pl. 21:5–8).

Jugs and Juglets (Fig. 6:14–16).— Several jugs and juglets without good parallels were found in Stratum II. The fragment in Fig. 6:14 belongs to a jug with a long neck and a ring-shaped rim with an in-turned lip; an oval handle extends from the rim to the base of the neck. An almost complete juglet with a flat, solid base, an elongated body, a short splaying neck and a rounded rim is presented in Fig. 6:15; it is wheel-ridged on the lower half of the body and has a strip handle that extends from the rim to mid-body. The fragment in Fig. 6:16 is of a small neckless juglet with an out-rolled rim.

Strainer Jug (Fig. 6:17).— This jug has a short neck and a hooked rim; the strainer at the base of the neck has three round holes. Such strainer-neck jugs were found in Caesarea, where they were dated to the late fourth–fifth centuries CE (Tomber 1999:307, Fig. 1:23); in Beirut, where they were dated to the early fifth century CE (Waksman et al. 2005:315, Fig. 1: Gargoulette 1.1); and at Kellia (Egloff 1977:129–130, Pl. 71:9).

Cooking Vessels (Fig. 7:1–5)

Cooking Pot (Fig. 7:1).— This fragment belongs to a squat cooking pot, with a body densely wheel-ridged; the rim is folded, with a groove along its outer face. Similar vessels, dated to the sixth–seventh centuries CE, were found at Ḥorbat ‘Aqav (Calderon 2000:138, Pl. XXII:35), Ḥorbat Qastra (Siegelmann 1996:81, Fig. 10:14) and Ḥorbat Sumaqa (Siegelman 1998: Fig. 8:22).

Casseroles (Fig. 7:2–5).— The casseroles from Stratum II are of the same late variant with bevel-cut rims as those from Stratum III (see above). However, a casserole lid that was found here is of the domed type that has a perforated knob handle on top (not preserved) and an infolded rim (Fig. 7:5). Similar vessels were reported from a seventh-century CE deposit at Caesarea (Type 1A; Adan-Bayewitz 1986:108–109, Fig. 4:9, Ill. 116).

STORAGE VESSELS

Locally Produced Storage Jars (Fig. 7:6–16)

Costal (Red) Bag-shaped Jars (Fig. 7:6–12).— The vessels that were found in Stratum II are of the same variants that were already described in Stratum III: the elongated bag-shaped jar (Fig. 7:6–12) and the globular bag-shaped jar, one of which is a complete example (Fig. 7:10).

South Palestinian (Gazan) Amphorae (Fig. 7:13–15).— These fragments belong to long, torpedo-shaped amphorae with loop-shaped handles which are attached to the shoulder; the rim is either rounded with a gutter inside (Fig. 7:15) or pointed (Fig. 7:13, 14). The variant with the guttered rim seems similar to Majcherek’s Form 3, which dates from the late fifth–sixth centuries CE (Majcherek 1995:168–169, Pl. 3:3, 6.); the second variant, with the pointed rim, is Majcherek’s Form 4, which dates from the late sixth–seventh centuries CE (Majcherek 1995:169, Pl. 3:4, 7, 8), or even later, through the whole Umayyad period (Egloff 1977:116–117). Among the numerous parallels of this amphora we may mention specimens from deposits in Caesarea that date from the fifth–sixth centuries CE (Riley 1975:32, Nos. 13–15) and from a pit at Ḥorbat ‘Aqav that was similarly dated by Calderon (2000:121–122).

Stopper (Fig. 7:16).— This is a disc-shaped amphorae stopper with a spike-like handle. Such stoppers are a common find in Israel and seem to have been used with Gazan amphorae (Peleg and Reich 1992:154, Fig. 13:2; Majcherek 1995:170).

Imported Amphorae (Fig. 8)

Carthage Late Roman Amphora I Type (Fig. 8:1, 2).— These fragments belong to rather small Late Roman amphorae. They have a short neck with a flange on the upper part and a thickened, out-turned rim; oval ridged handles extend from the upper neck to the shoulder. This type of amphora is similar

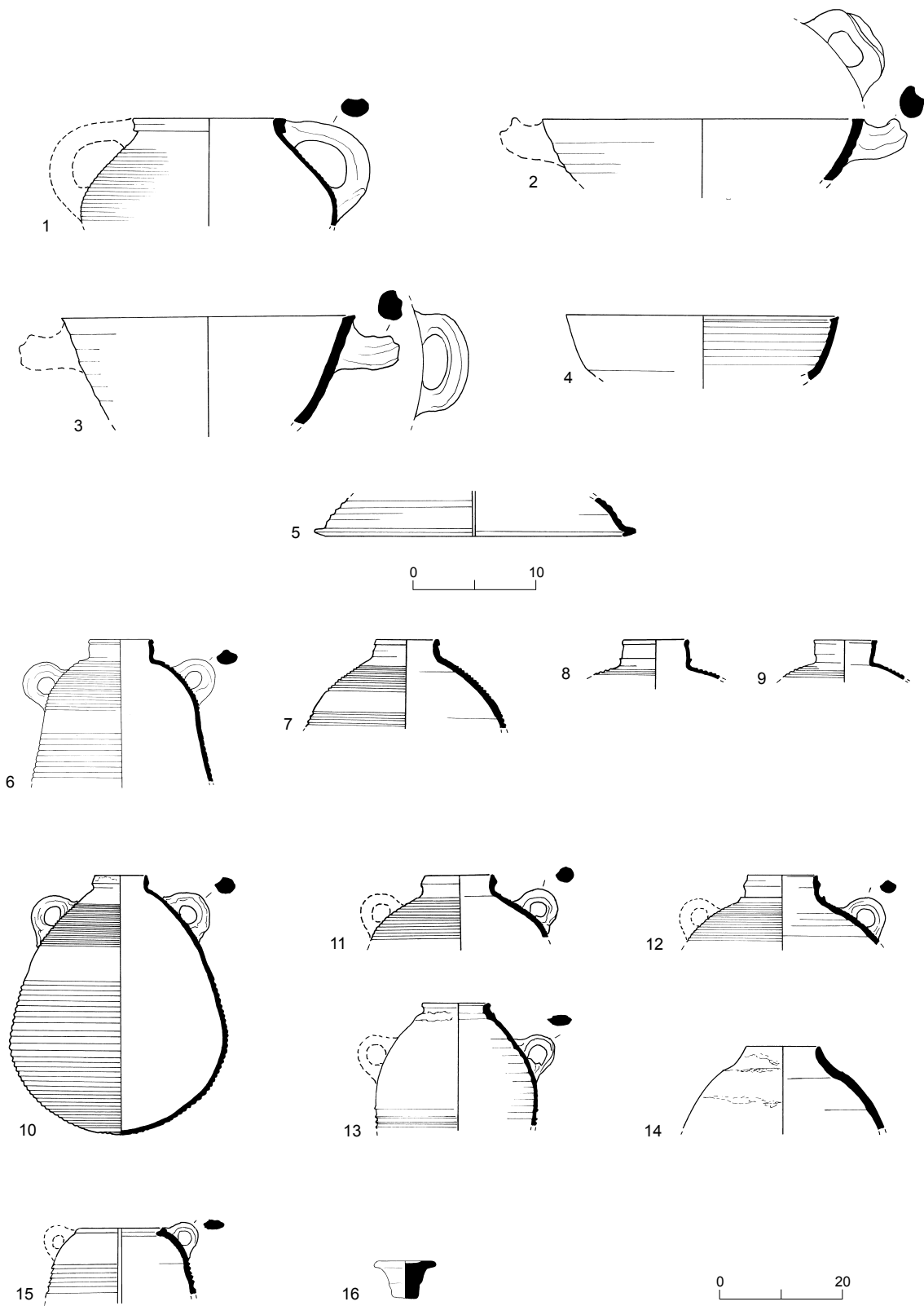


Fig. 7. Stratum II Pottery.

◀ Fig. 7

No.	Type	Locus	Reg. No.	Description
1	Cooking pot	132	1162	
2	Casserole	174	1455	
3	Casserole	157	1566	
4	Casserole	522	4151	
5	Casserole	132	1178/9	
6	Jar	153	1324	Coastal (red) bag-shaped
7	Jar	123	1123	Coastal (red) bag-shaped
8	Jar	147	1238	Coastal (red) bag-shaped
9	Jar	508	4080	Coastal (red) bag-shaped
10	Jar	451	1786	Coastal (red) bag-shaped
11	Jar	203	2013	Coastal (red) bag-shaped
12	Jar	128	1152	Coastal (red) bag-shaped
13	Amphorae	430	1677	South Palestinian (Gazan)
14	Amphora	147	1238	South Palestinian (Gazan)
15	Amphora	147	1238	South Palestinian (Gazan)
16	Stopper	132	1162	

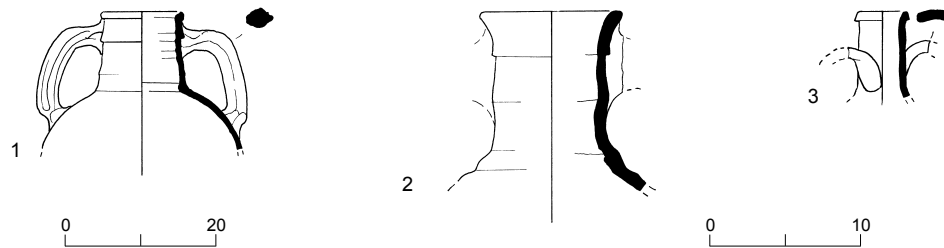


Fig. 8. Stratum II Pottery.

No.	Locus	Reg. No.	Form
1	203	2011	Carthage Late Roman 1
2	474	1895	Carthage Late Roman 1
3	132	1162	Benghazi Late Roman 10

to the Carthage Late Roman Amphora 1A of the sixth–seventh centuries CE (Riley 1979:216, Fig. 91:346–347) and to the Class 44B amphorae of Peacock and Williams (1986:185–187, Fig. 104B). This type is commonly found in Caesarea (Adan-Bayewitz 1986:102, Fig. 2:4–5, Ill. 103; Peleg and Reich 1992: Fig. 15:15) and at other sites (Calderon 2000: Pls. XIV, XV; Calderon 2010: Figs. 3:28–29; 7:72).

Benghazi Late Roman Amphora 10 Type (Fig. 8:3).— A single amphora fragment with a short neck and a pair of loop handles attached to the neck was found; it is made of brownish micaceous clay.

This vessel is similar to the Benghazi Late Roman Amphora 10, which is dated to the late fourth through the sixth centuries CE (Riley 1979:230–231), and to the Class 45 amphorae of Peacock and Williams (1986:188–190). These amphorae are common in Caesarea (Riley 1975:31, Fig. on p. 32, No. 19; Bar-Nathan and Adato 1986:166–167, Fig. 3:15; Blakely 1987:136, Fig. 42:180; Magness 1992:130, 135, Fig. 58:13).

CONCLUSIONS

The pottery assemblage of Stratum IV comprises mainly types and variants that are characteristic of the Early Roman period, from the late first century BCE until the beginning of the second century CE. However, some local storage jars (Fig. 1:18, 19) should be dated to the third century or to the first half of the fourth century CE. Consequently, the assemblage of Stratum IV represents an extended period of occupation that started during the reign of king Herod and continued until the Middle Roman period.

The following two assemblages, those of Strata III and II, exhibit considerable similarity. Both include a rich variety—of forms and variants—of imported fine table wares, household and kitchen wares, as well as local storage vessels. However, some chronological differences can be observed.

The earliest Stratum III pottery consists mainly of vessels that can be dated to the fifth and sixth centuries CE. The latest datable imported fine table wares are of Hayes ARSW Form 104 (Fig. 3:8, 9), which dates from around 550–625 CE. I thus suggest a *terminus ante quem* for the pottery assemblage of Stratum III of around 600 CE. In spite of the considerable similarity between the assemblages of Strata III and II, the pottery of Stratum II includes types and variants that are absent from the earlier one, such as Hayes PRSW Form 10A, Fine Byzantine Wares and arched-rim basins. These may be taken as evidence that the final stage of occupation at the site was in the first half of the seventh century CE, probably during the events related to the Muslim conquest of the region between 635 and 640 CE.

REFERENCES

- Adan-Bayewitz D. 1986. The Pottery from the Late Byzantine Building (Stratum 4) and Its Implications. In L.I. Levine and E. Netzer. *Excavations at Caesarea Maritima 1975, 1976, 1979—Final Report* (Qedem 21). Jerusalem. Pp. 90–129.
- Adan-Bayewitz D. 1993. *Common Pottery in Roman Galilee: A Study of Local Trade*. Ramat Gan.
- Avissar M. 1996. The Clay Tobacco Pipes. In A. Ben-Tor, M. Avissar and Y. Portugali. *Yoqne 'am I: The Late Periods* (Qedem Reports 3). Jerusalem. Pp. 198–201.
- Ayalon E. 1988. A Byzantine Road and other Discoveries in the Vicinity of Tell Qasile. *Israel—People and Land: Eretz Israel Museum Yearbook* 4:17–33 (Hebrew; English summary, p. 7*).
- Ayalon E. 2000. Typology and Chronology of Water-Wheel (Sāqiya) Pottery Pots from Israel. *IEJ* 50:216–226.

- Bar-Nathan R. 1981. Pottery and Stone Vessels of the Herodian Period (1st Century B.C.–1st Century A.D.). In E. Netzer. *Greater Herodium* (Qedem 13). Jerusalem. Pp. 54–70.
- Bar-Nathan R. 2002. *Hasmonean and Herodian Palaces at Jericho. Final Reports of the 1973–1987 Excavations III: The Pottery*. Jerusalem.
- Bar-Nathan R. 2006. *Masada VII: The Yigael Yadin Excavations 1963–1965, Final Reports; The Pottery of Masada*. Jerusalem.
- Bar-Nathan R. and Adato M. 1986. The Promontory Palace: Pottery. In L.I. Levine and E. Netzer. *Excavations at Caesarea Maritima 1975, 1976, 1979—Final Report* (Qedem 21). Jerusalem. Pp. 160–175.
- Ben-Arieh R. and Coen-Uzzielli T. 1996. The Pottery. In G. Avni and Z. Greenhut. *The Akeldama Tombs: Three Burial Caves in the Kidron Valley, Jerusalem* (IAA Reports 1). Jerusalem. Pp. 73–93.
- Berlin A. 1992. Hellenistic and Roman pottery, preliminary report, 1990. In R.L. Vann ed. *Caesarea Papers: Straton's Tower, Herod's Harbour, and Roman and Byzantine Caesarea* (JRA Suppl. S. 5). Ann Arbor. Pp. 112–124.
- Berlin A. 1997. The Plain Wares. In S.C. Herbert ed. *Tel Anafa II, i: The Hellenistic and Roman Pottery* (JRA Suppl. S. 10). Ann Arbor. Pp. ix–xiv, 1–244.
- Blakely J.A. 1987. *The Pottery and Dating of Vault 1: Horreum, Mithraeum and Later Uses* (The Joint Expedition to Caesarea Maritima Excavation Reports 4). Lewiston, NY.
- Calderon R. 2000. Roman and Byzantine Pottery. In Y. Hirschfield. *Ramat Hanadiv Excavations: Final Report of the 1984–1998 Seasons*. Jerusalem. Pp. 91–165.
- Calderon R. 2010. Pottery from the Late Byzantine Remains near Shiqmona. *'Atiqot* 63:183–208.
- Egloff M. 1977. *Kellia, la poterie copte: Quatre siècles d'artisanat et d'échanges en Basse-Égypte* (Recherches suisses d'archéologie copte III) (2 vols.). Geneva.
- Geva H. and Rosenthal-Heginbottom R. 2003. Local Pottery from Area A. In H. Geva. *Jewish Quarter Excavations in the Old City of Jerusalem Conducted by Nahman Avigad, 1969–1982 II: The Finds from Areas A, W and X-2; Final Report*. Jerusalem. Pp. 176–191.
- Guz-Zilberstein B. 1995. The Typology of the Hellenistic Coarse Ware and Selected Loci of the Hellenistic and Roman Periods. In E. Stern. *Excavations at Dor. Final Report I, B: Areas A and C; The Finds* (Qedem Reports 2). Jerusalem. Pp. 289–433.
- Hayes J.W. 1967. North Syrian Mortaria. *Hesperia* 36:337–347.
- Hayes J.W. 1972. *Late Roman Pottery*. London.
- Hayes J.W. 1980. *A Supplement to Late Roman Pottery*. London.
- Johnson B.L. 1988. The Pottery. In G.D. Weinberg ed. *Excavations at Jalame: Site of a Glass Factory in Late Roman Palestine*. Columbia, Mo. Pp. 137–226.
- Kenyon K.M. 1957. Pottery: Roman and Later Wares. In J.W. Crowfoot, G.M. Crowfoot and K.M. Kenyon. *Samaria-Sebaste III: The Objects from Samaria*. London. Pp. 281–306.
- Koucky F.L. and Lapp E.C., 1989. The Pottery and Small Finds. In R.H. Smith and L.P. Day *Pella of the Decapolis 2: Final Report on the College of Wooster Excavations in Area IX, the Civic Complex, 1979–1985*. Wooster. Pp. 96–118.
- Loffreda S. 1996. *La ceramica di Macheronte e dell'Herodion (90 a.C.–135 d.C.)* (SBF Collectio Maior 39). Jerusalem.
- Loffreda S. 2008. *Cafarnao VI: Tipologie e contesti stratigrafici della ceramica (1968–2003)* (SBF Collectio Maior 48); *Cafarnao VII: Documentazione grafica della ceramica (1968–2003)* (SBF Collectio Maior 49). Jerusalem.

- Magness J. 1992. Late Roman and Byzantine Pottery, Preliminary Report, 1990. In R.L. Vann ed. *Caesarea Papers: Straton's Tower, Herod's Harbour, and Roman and Byzantine Caesarea* (JRA Suppl. S. 5). Ann Arbor. Pp. 129–153.
- Magness J. 1993. *Jerusalem Ceramic Chronology: Circa 200–800 CE* (JSOT/ASOR Monograph Series 9). Sheffield.
- Majcherek G. 1995. Gazan Amphorae: Typology Reconsidered. In H. Meyza and J. Młynarczyk eds. *Hellenistic and Roman Pottery in the Eastern Mediterranean—Advances in Scientific Studies (Acts of the II Nieborów Pottery Workshop; Nieborów, 18–20 December 1993)*. Warsaw. Pp. 163–178.
- McNicoll A., Smith R.H. and Hennessy B. 1982. *Pella in Jordan 1: An Interim Report on the Joint University of Sydney and the College of Wooster Excavations at Pella 1979–1981* (2 vols). Canberra.
- Meyza H. 2007. *Nea Paphos V. Cypriote Red Slip Ware: Studies on the Late Roman Levantine Fine Ware*. Warsaw.
- Oleson J.P., Fitzgerald M.A., Sherwood A.N. and Sidebotham S.E. 1994. *The Harbours of Caesarea Maritima: Results of the Caesarea Ancient Harbour Excavation Project 1980–85 II: The Finds and the Ship* (BAR Int. S. 594). Oxford.
- Peacock D.P.S. and Williams D.F. 1986. *Amphorae and the Roman Economy: An Introductory Guide*. London–New York.
- Peleg M. and Reich R. 1992. Excavations of a Segment of the Byzantine City Wall of Caesarea Maritima. *'Atiqot* 21:137–170.
- Rapuano Y. 1999. Pottery from Ras Abu Ma'aruf. *'Atiqot* 38:171*–203* (Hebrew; English summary, p. 201).
- Riley J.A. 1975. The Pottery from the First Session of Excavation in the Caesarea Hippodrome. *BASOR* 218:25–63.
- Riley J.A. 1979. The Coarse Pottery from Berenice. In J.A. Lloyd ed. *Excavations at Sidi Khrebish, Benghazi (Berenice) II* (Supplements to Libya Antiqua V). Tripoli. Pp. 91–467.
- Roll I. and Ayalon E. 1989. *Apollonia and Southern Sharon: Model of a Coastal City and Its Hinterland*. Tel Aviv (Hebrew).
- Sarig S. 2009. Pottery of Roman Neapolis. In Magen Y. *Flavia Neapolis: Shechem in the Roman Period II* (JSP 11). Jerusalem. Pp. 1–22.
- Siegelman A. 1998. The Pottery from the Sumaqa Excavations. In Dar S. *Sumaqa: A Jewish Village on the Carmel*. Tel Aviv. Pp. 311–356 (Hebrew).
- Siegelmann A. 1996. Soundings at Ḥ. Qastra, 1988. *'Atiqot* 29:77*–92* (Hebrew; English summary, p. 113).
- Silberstein N. 2000. Hellenistic and Roman Pottery. In Y. Hirschfeld. *Ramat Hanadiv Excavations: Final Report of the 1984–1998 Seasons*. Jerusalem. Pp. 420–469.
- Sussman V. 1976. A Burial Cave at Kefar 'Ara. *'Atiqot (ES)* 11:92–101.
- Tomber R. 1999. Pottery from Sediments of the Inner Harbour. In K.G. Holum, A. Raban and J. Patrich eds. *Caesarea Papers 2: Herod's Temple, the Provincial Governor's Praetorium and Granaries, the Later Harbor, a Gold Coin Hoard, and Other Studies* (JRA Suppl. S. 35). Portsmouth, R.I. Pp. 295–322.
- Tsioni G. 2008. A Salvage Excavations at Khirbat el-Ni'ana. *Contract Archaeology Reports III*. Haifa. Pp. 33–66 (Hebrew; English Summary, P. 63*).
- Tushingham A.D. 1985. *Excavations in Jerusalem 1961–1967 I*. Toronto.
- Vaux R. de. 1954. Fouilles au Khirbet Qumrân. *RB* 61:206–236.
- Vincenz A. de and Sion O. 2007. Two Pottery Assemblages from Khirbat el-Ni'ana. *'Atiqot* 57:21–52.

- Waksman S.Y., Reynolds P., Bien S. and Trégliat J.-Ch. 2005. A Major Production of Late Roman 'Levantine' and 'Cypriot' Common Wares. In J.M. Gurt i Esparraguera, J. Buxeda i Garridos and M.A. Cau Ontiveros eds. *LRCWI Late Roman Coarse Wares, Cooking Wares and Amphorae in the Mediterranean Archaeology and Archaeometry* (BAR Int. S. 1340). Pp. 311–325.
- Yannai E. 2021. Tel Ifshar (East): Remains from the Roman and Byzantine Periods. *HA-ESI* 133 (Dec. 30). http://www.hadashot-esi.org.il/Report_Detail_Eng.aspx?id=26101&mag_id=133 (accessed Dec. 30, 2021).
- Zevulun U. and Olnik Y. 1978. *Vessels from the Period of the Mishnah and Talmud: Function and Design in the Talmudic Period* (Catalogue, Haaretz Museum, Tel Aviv). Tel Aviv (Hebrew).